



Liner-carrier types



Fields of application

- Drum filling station
- Continuous liner port for isolator systems
- Waste-port
- Filter-cleaning
- Sampling
- Cleanroom-port
e. g. for waste or dirty clothes

Scope of delivery

- Liner-carrier system
- 1 piece O-ring clamp
- 1 piece O-Ring
- Technical documentation
- Instruction manual

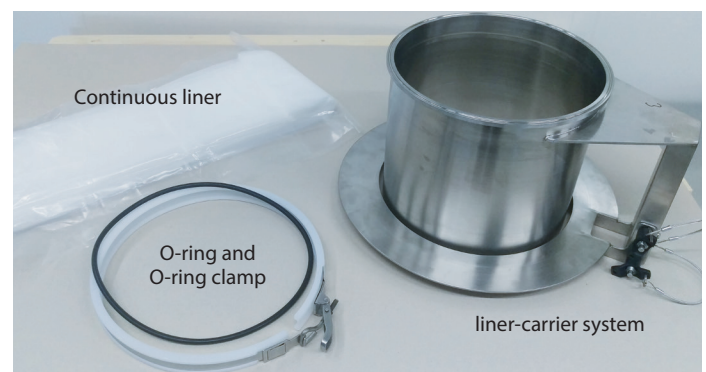
The liner-carrier system is used wherever continuous liners must be mounted on a system or on an isolator system as a liner port. The liner package is placed on the support tube, sealed with an O-ring, pressed and secured additionally with an O-ring clamp.

The connection of the liner-carrier can be individually adapted to the interface of the system, for example by TriClamp or flange connection.

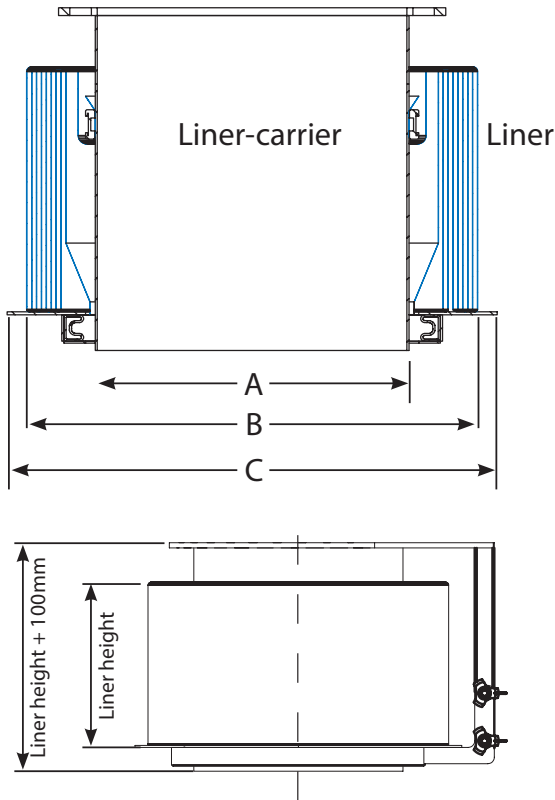
The liner-carrier is available in different sizes, matching to the standard continuous liner types from CLS-300 to CLS-1100, with folding-heights from 150 mm up to 400 mm.

The total height of the liner-carrier system depends on the folding height of the liner package. The total height is usually 100 mm more than the folding height of the continuous liner.

The liner-carrier is made entirely of polished stainless steel. Product contact parts made of 316L. Also possible are special designs with special surface finishes or materials made of Hastelloy or plastic.

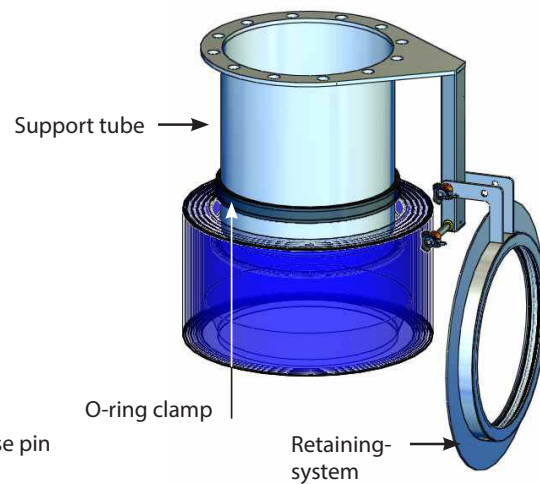
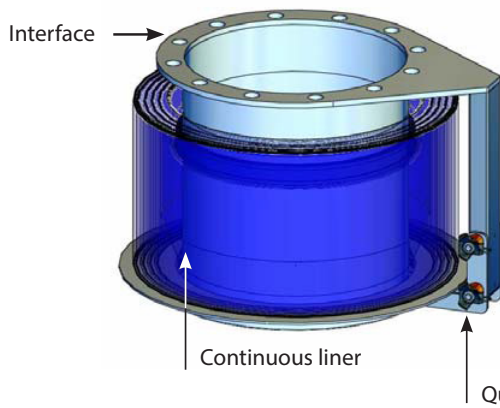


Contact:
info@biopharmequip.com
562 355-5859



Type	A* Tube-Ø (mm)	B Liner-Ø (mm)	C Ring-Ø (mm)	Liner- heights (mm)
CLS-300	115	190	240	150/300
CLS-400	170	250	300	150/300
CLS-500	220	320	370	170/250/ 400
CLS-600	300	380	430	170/250/ 400
CLS-700	340	450	500	170/250/ 400
CLS-800	370	500	550	170/250/ 400
CLS-910	420	580	630	170/250/ 400
CLS-970	450	620	670	170/250/ 400
CLS-1100	530	700	750	170/250/ 400

* Tube-Ø are approximate and may vary depending on the application



Contact:
info@biopharmequip.com
 562 355-5859